

Panasonic®

Super Dynamic II Color Surveillance Cameras with Low-Light B/W Mode WV-CP470 Series

Lens : optional



A NEW HIGH END COLOR CAMERA WITH 24-HOUR SURVEILLANCE AND MULTIFUNCTION FEATURES.

Panasonic introduces the WV-CP470 Series cameras. Always on the job, these cameras automatically switch from color, in daytime, to high sensitivity black and white at night. With full 24-hour surveillance capabilities, features include, motion detection and error free title displays.

With 480 lines of horizontal resolution, in color mode, and 570 lines in black and white, the WV-CP470 Series defines high definition. It can operate in color mode at 0.8 lx (0.08 fc), using a F1.4 lens. In black and white mode sensitivity is an amazing 0.1 lx (0.01 fc). Plus, its linear sensitivity can be electronically enhanced up to 32 times. With **Super Dynamic II** capabilities, the WV-CP470 Series make it possible to obtain clear images of subjects in extreme lighting conditions. A built-in alarm output terminal makes connection to an extreme sensor a snap.

Indoors, outdoors and under the toughest conditions, the WV-CP470 Series provides constant and reliable surveillance.

Key Features

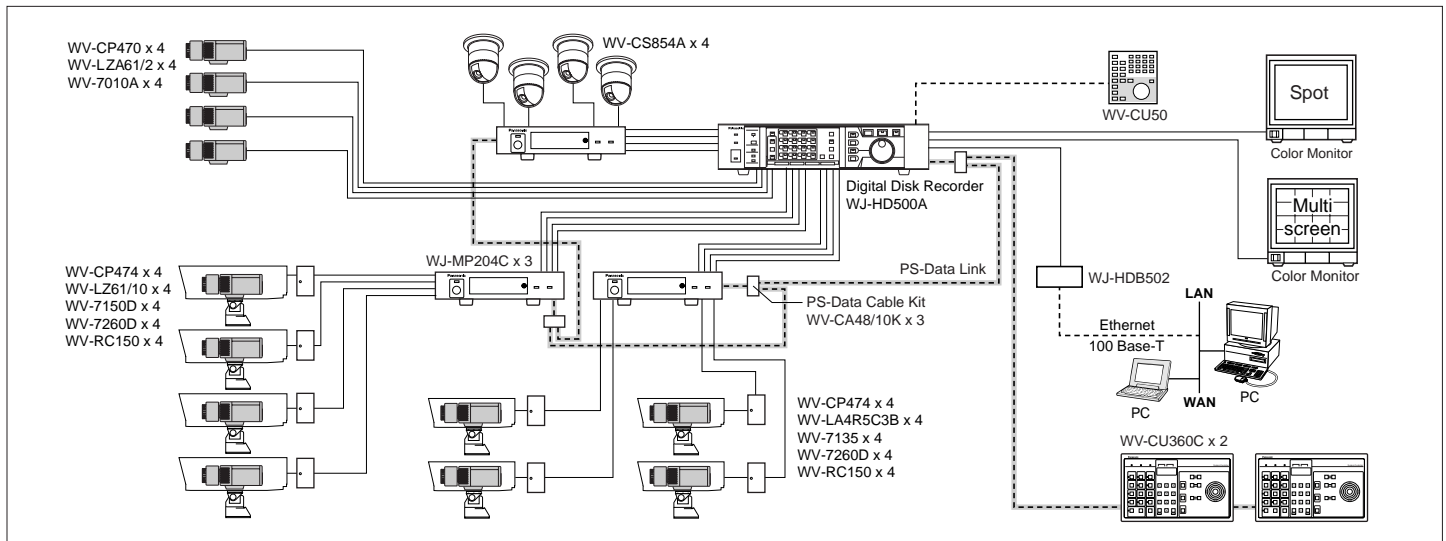
- 1/3-type double speed CCD color image sensor.
- Switches from selected color mode to B/W mode, automatically or manually.

- Built-in **Super Dynamic II** function has 64 times wider dynamic range when compared to a conventional camera.
- Super sensitivity of 0.8lx (0.08fc) at F1.4 in color mode, and 0.1lx (0.01fc) at F1.4 in B/W mode.
- 480-line resolution in color mode, and 570-line in B/W mode.
- Signal to noise ratio of 50dB.
- ELC function enables the use of fixed iris lens for indoor applications.
- Built-in Alarm output connector for external sensors.
- Built-in digital motion detector.
- Built-in 16 alphanumeric character display.
- Electronic shutter from 1/60 to 1/10,000 sec.
- Electronic sensitivity enhancement (Auto; up to 10x, Manual; up to 32x, and Off)
- Digital signal processing LSI's for high quality pictures:
 - 2H vertical enhancement, chroma averaging circuit, minimum of aliasing, knee circuit, and highlight aperture correction.
- Gen-lock connector for the large system applications.
- VD2 sync capability with Panasonic system products.
- Accepts both AC 24V & DC 12V for WV-CP474 camera model.

WIDE VARIETY OF OPTIONAL LENSES

Auto Iris Lenses	High-Speed Lenses	Zoom Lenses	Vari-focal Lenses
WV-LA2R8C3B WV-LA4R5C3B WV-LA9C3B	WV-LA210C3 WV-LA408C3 WV-LA908C3	WV-LZ61/10 (x10) WV-LZ61/15 (x15)	WV-LZA61/2 WV-LZF61/2 WV-LZ62/2 WV-LZ62/8
			

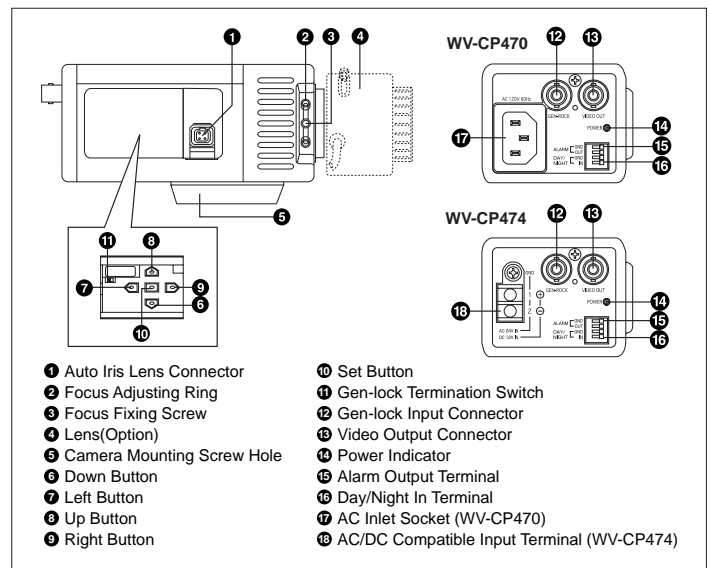
SYSTEM EXAMPLE



SPECIFICATIONS

Model No.	WV-CP470	WV-CP474
Pick-up Device	771(H) x 492(V) pixels, Interline Transfer CCD	
Scanning Area	4.8(H) x 3.6(V) mm (Equivalent to scanning area of 1/3" pick-up tube)	
Scanning	525 lines/60 fields/30 frames Horizontal: 15.734 kHz Vertical: 59.94 Hz	
Synchronization	Internal, Line-locked, External (VS/VBS) or Multiplexed Vertical Drive (VD2) selectable	
Video Output	1.0V[p-p] NTSC composite 75Ω/BNC connector	
Horizontal Resolution	480 lines (C/L), 570 lines (B/W)	
Signal-to-Noise Ratio	50dB (Equivalent to AGC Off, weight On)	
Dynamic Range	46dB	
Minimum Illumination	0.8 lx (0.08 fc) at F1.4 (C/L), 0.1 lx (0.01 fc) at F1.4 (B/W)	
Gain Control	ON (DNR-H), ON (DNR-L) or OFF (SET UP MENU) selectable	
White Balance	ATW1, ATW2 or AWC (SET UP MENU) selectable	
Aperture	Set Variable (SET UP MENU)	
Electronic Light Control	Equivalent to continuous variable shutter speeds between 1/60s and 1/10,000s	
Super Dynamic II	ON or OFF (SET UP MENU) selectable	
Electronic Shutter Speed	1/60(OFF), 1/100, 1/250, 1/500, 1/1,000, 1/2,000, 1/4,000, 1/10,000s selectable	
Lens Mount	CS-mount (supplied with C-mount adapter)	
ALC Lens	DC or Video selectable	
Ambient Operating Temperature	-10°C ~ +50°C (14°F ~ 122°F)	
Ambient Operating Humidity	Less than 90%	
Power Source and Power Consumption	120V AC 60Hz, 4.8W	24V AC 60Hz, 4.3W 12V DC, 440mA
Dimensions	70(W) x 65(H) x 128(D) mm [2-3/4"(W) x 2-9/16"(H) x 5-1/32"(D)]	
Weight (approx.)	460 g (1.01 lbs.) (without power cord)	450 g (0.99 lbs.)

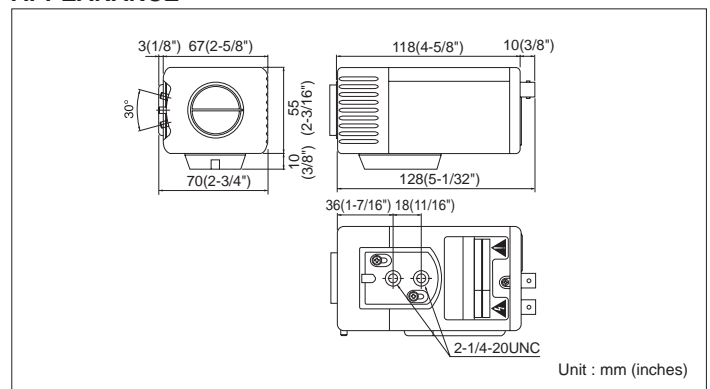
MAJOR OPERATING CONTROLS



OPTIONAL COMPONENTS

DIGITAL DISK RECORDERS	DIGITAL MULTIPLEXERS
WJ-HD500A (with 16ch Multiplexer) WJ-HD100	WJ-FS616C (16ch) WJ-FS416 (16ch) WJ-FS216 (16ch) WJ-FS409 (9ch)
MATRIX SYSTEM 500	COLOR MONITORS
	WV-CM2080 51cm (20") WV-CM1780 41cm (16") WV-CM1480 36cm (14") WV-CM1420 34cm (13") WV-CM1020 22cm (9")

APPEARANCE



• Weights and dimensions are approximate. • Specifications are subject to change without notice. • These products may be subject to export control regulations.

Panasonic

Panasonic Security & Digital Imaging Company
 A Division of Matsushita Electric Corporation of America
Security Systems Group

Executive Office : One Panasonic Way 3E-7, Secaucus, New Jersey 07094

Zone Office
 Eastern : One Panasonic Way, Suite 3E-7, Secaucus, NJ 07094 (201) 348-7303
 Central : 1707 N.Randal Road, 1C-2, Elgin, IL 60123 (847) 468-5211
 Western : 6550 Katella Ave., Cypress, CA 90630 (714) 373-7840
<http://cctv.panasonic.com/>

DISTRIBUTED BY:

PANASONIC CANADA INC.
 5770 Ambler Drive, Mississauga, Ontario, L4W 2T3 Canada (905) 624-5010
PANASONIC SALES COMPANY
 DIVISION OF MATSUSHITA ELECTRIC OF PUERTO RICO, INC.
 San Gabriel Industrial Park 65th Infantry Ave. KM. 9.5 Carolina, P.R. 00985 (809) 750-4300
 Printed in Japan
 WV-JHCP470T(2P-493A)