

WV-7110A/7120D/7130D CAMERA HOUSINGS

WV-7110A Dustproof Indoor Housing

- For ½" series cameras
- Installation of the housing is possible even after completion of camera setup and cable wiring
- Top/bottom mounting handle
- Detachable front cover for lens adjustments
- Use with most Panasonic cameras



WV-7110A

ARCHITECTS' AND ENGINEERS' BID SPECIFICATIONS

The indoor wall/ceiling housing shall be a Panasonic Model WV-7110A or equivalent. The indoor camera housing shall be constructed of high impact plastic with a clear viewing window. The main body of the enclosure shall be removable allowing access to camera and lens without changing the camera's field of view. The camera shall mount to a moveable swivel mount. The mount shall allow camera rotation a full 180° to accommodate various mounting configurations. The cable entry shall be through an adjustable connector opening. The housing size shall not exceed 3¼"H x 5⅝"W x 12⅝"D. The housing's weight shall not exceed 1.1 lbs. and it shall have ½ x 20 mounting connection.

WV-7120D Dustproof Indoor Housing

- Mounts from top
- Use with most ⅜" series cameras with fixed focal lens
- Direct wiring



WV-7120D

ARCHITECTS' AND ENGINEERS' BID SPECIFICATIONS

The dustproof indoor camera housing shall be a Panasonic Model WV-7120D or equivalent. It shall be compatible for use with Panasonic CCVE cameras with various lenses. The housing shall be mounted from the top, with direct wiring, on a bracket/brace (Panasonic WV-7010A, WV-7015/WV-831) or on a pan/tilt mechanism (Panasonic WV-7220D, WV-7230D, WV-7225). The housing's dimensions shall not exceed 4⅞"H x 5⅝"W x 14"D. The housing's weight shall not exceed 3 lbs.

WV-7130D Dustproof Indoor Housing

- Mounts from top
- Use with most tube and CCD cameras with zoom lens
- Direct wiring



WV-7130D

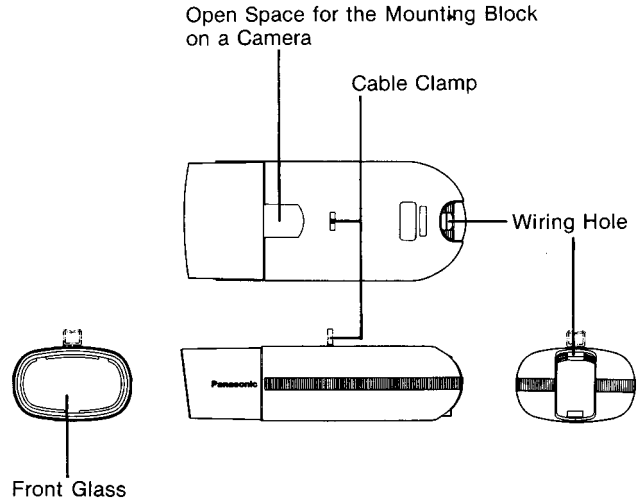
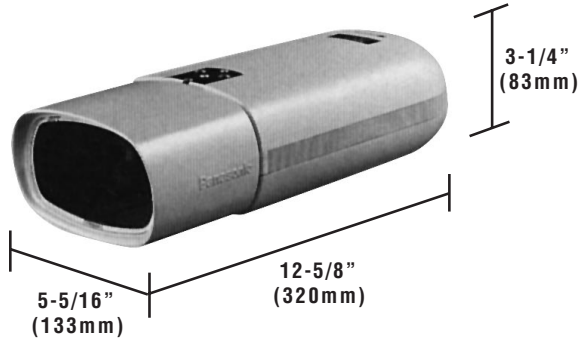
ARCHITECTS' AND ENGINEERS' BID SPECIFICATIONS

The dustproof indoor camera housing shall be a Panasonic Model WV-7130D or equivalent. It shall be compatible for use with Panasonic CCVE cameras with various lenses. The housing shall be mounted from the top, with direct wiring, on a bracket/brace (Panasonic WV-831) or on a pan/tilt mechanism (Panasonic WV-7230D). The housing's dimensions shall not exceed 7⅞"H x 6⅝"W x 20⅞"D. The housing's weight shall not exceed 7.5 lbs.

Models	WV-7110A (indoor use)	WV-7120D (indoor use)	WV-7130D (indoor use)
Specifications			
Products Housed	Panasonic CCD cameras with fixed focal length lens	CCTV cameras with various lenses	CCTV cameras with various lenses
Mounting Bracket/Base	WV-7010A/7015/831P	WV-7010A/7015/831P	WV-831P
Pan/Tilt Mechanism	WV-7720D/7230D/7225	WV-7720D/7230D/7225	WV-7230D
Mounting	From top or bottom	From top	From top
Ambient Operating Temperature	Depends upon camera's specifications		
Ambient Operating Humidity	Depends upon camera's specifications	Less than 90%	
Dimensions (HxWxD)	3¼" x 5⅝" x 12⅝"	4⅞" x 5⅝" x 14"	7⅞" x 6⅝" x 20⅞"
Weight	1.1 lbs. (0.5kg)	3 lbs. (1.4kg)	7.5 lbs. (3.6kg)

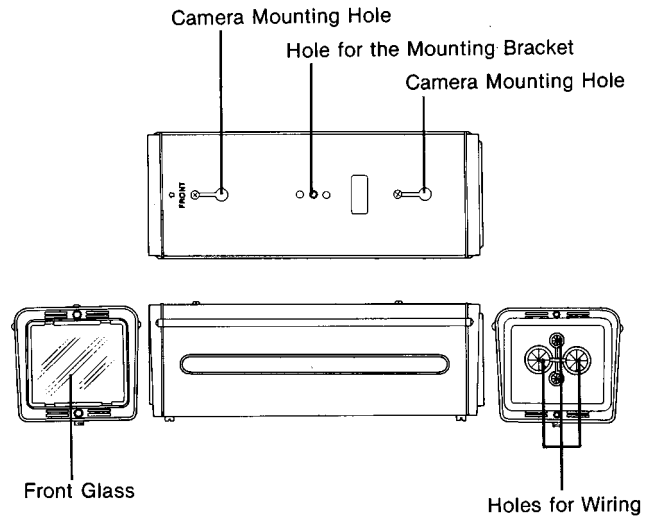
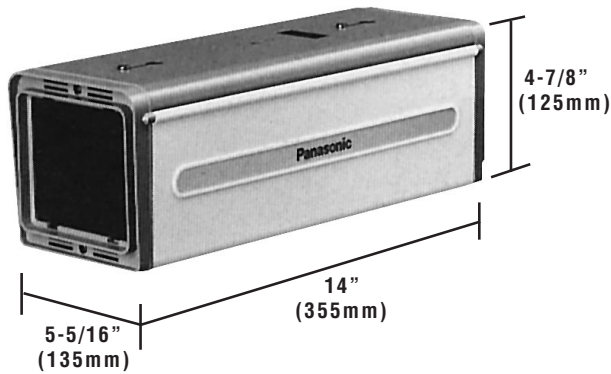
WV-7110A Dustproof Indoor Housing

- For most Panasonic CCVE CCD cameras with fixed focal length lenses
- Mounts from top or bottom, with direct wiring
- Can be installed and removed without disconnecting or separating the camera from the bracket



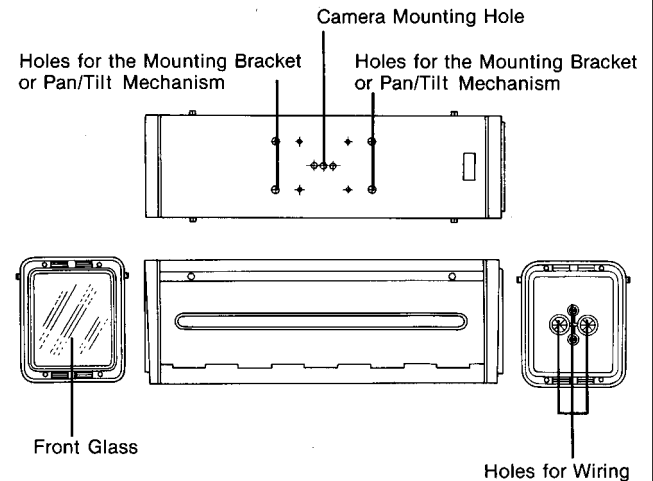
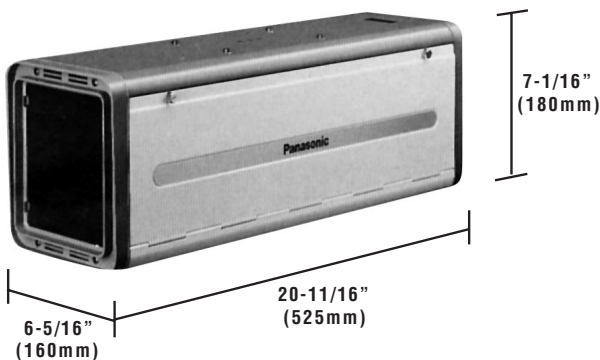
WV-7120D Dustproof Indoor Housing

- For CCVE cameras with various lenses
- Mounts from top, with direct wiring



WV-7130D Dustproof Indoor Housing

- For CCVE cameras with various lenses
- Mounts from top, with direct wiring



CAMERA HOUSINGS/CAMERA HOUSINGS COMBINATION CHART

Weatherproof Outdoor Housing

WV-7160D

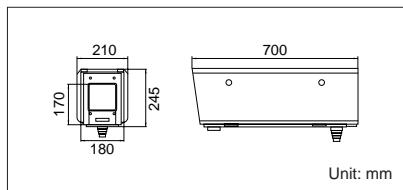


- Weatherproof outdoor housing for cameras with various lenses including a zoom lens
- Thermostat automatically controls built-in heater and cooling fan; defroster provided
- Sun shield provided
- Mountable to the WV-7260D Pan/Tilt Mechanism
- Optional Wiper, WV-Z50 is available

WV-Z50
(option)



DIMENSIONS



SPECIFICATIONS

Pan/Tilt Mechanism	WV-7260D
Power Source	24V AC, 50 Hz
Functions: Fan	Standard 18W (On at 40°C)
: Heater	Standard 78W (On at -5°C)
: Defroster	Standard 15W
: Wiper	WV-Z50 (Optional)
Mounting	From bottom
Ambient Operating Temperature	Low: -30°C High: Refer to the specifications of the camera and the lens
Ambient Operating Humidity	Weatherproof
Dimensions (W x H x D)	210 x 245 x 700 mm
Weight	9.1 kg

Panasonic CCVE Housing / Camera / Lens Combination Chart

● : Recommended ○ : Possible

Housings	Indoor Housings											
	WV-7110A		WV-7120D				WV-7130D					
	1/3	1/2	1/3		1/2		1/3		1/2			
Type of Lens	Fixed	Fixed	Fixed	Zoom	Fixed	Zoom		Fixed	Zoom	Fixed	Zoom	
						x6	x10				x6	x10
WV-CL920					●	●	●			○	○	○
WV-CL924					●	●	●			○	○	○
WV-CP470	●	○	○	●	○	○	○	○	○	○	○	○
WV-CP474	●	○	○	●	○	○	○	○	○	○	○	○
WV-CP240	●	○	○	●	○	○	○	○	○	○	○	○
WV-CP244	●	○	○	●	○	○	○	○	○	○	○	○
WV-BP330	●	○	○	●	○	○	○	○	○	○	○	○
WV-BP334	●	○	○	●	○	○	○	○	○	○	○	○
WV-BP140	●	○	○	●	○	○	○	○	○	○	○	○
WV-BP144	●	○	○	●	○	○	○	○	○	○	○	○
WV-CP160	●	○	○	●	○	○	○	○	○	○	○	○

Housings	Outdoor Housings														
	WV-7135		WV-7140				WV-7150D		WV-7160D						
	1/3	1/2	1/3	1/2	1/3	1/2	1/3	1/2	1/3	1/2	1/3	1/2			
Type of Lens	Fixed	Zoom	Fixed	Zoom	Fixed	Zoom	Fixed	Zoom	Fixed	Zoom	Fixed	Zoom	Fixed	Zoom	
WV-CL920															
WV-CL924			●	●			●	●			●	●		○	○
WV-CP470															
WV-CP474	●	○			●	●	○	○	○	○	○	○	○	○	○
WV-CP240															
WV-CP244	●	○			●	●	○	○	○	○	○	○	○	○	○
WV-BP330															
WV-BP334	●	○			●	●	○	○	○	○	○	○	○	○	○
WV-BP140															
WV-BP144	●	○			●	●	○	○	○	○	○	○	○	○	○
WV-CP160	●	○			●	●	○	○	○	○	○	○	○	○	○

WV-LA210C3 is not compatible with all housings except for WV-7110A and WV-7120D.
WV-LA4R5A is not compatible with WV-7130D.

SYSTEM EXAMPLE

